

FAG

**3205-BD-XL-2Z**

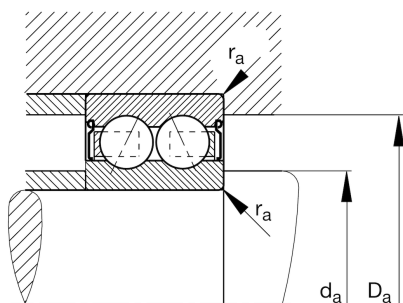
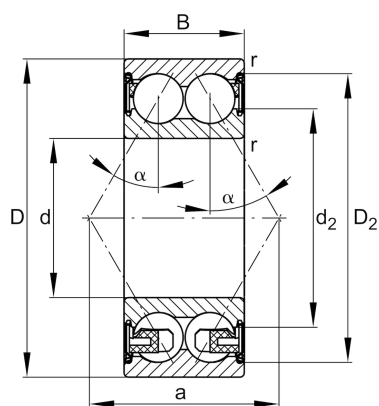
Angular contact ball bearing

Schaeffler ID:  
0816599460000

Angular contact ball bearing 32.-BD-XL-2Z, double row, X-life, shields, steel sheet metal cage

X-life

## Technical information

**Main Dimensions & Performance Data**

d	25 mm	Bore diameter
D	52 mm	Outside diameter
B	20,6 mm	Width
$C_r$	22.000 N	Basic dynamic load rating, radial
$C_{0r}$	15.200 N	Basic static load rating, radial
$C_{ur}$	1.050 N	Fatigue load limit, radial
$n_G$	10.700 1/min	Limiting speed
$n_{gr}$	12.500 1/min	Reference speed
	0,178 kg	Weight

**Dimensions**

$r_{min}$	1 mm	Minimum chamfer dimension
$D_2$	47,6 mm	Caliber diameter outer ring
$d_2$	34,2 mm	Caliber diameter inner ring
a	30,8 mm	Distance between the apexes of the pressure cones
$\alpha$	30 °	Contact angle

**Mounting dimensions**

$d_{a min}$	30,6 mm	Minimum diameter shaft shoulder
$D_{a max}$	46,4 mm	Maximum diameter of housing shoulder
$r_{a max}$	1 mm	Maximum fillet radius

**Temperature range**

$T_{min}$	-20 °C	Operating temperature min.
$T_{max}$	120 °C	Operating temperature max.